



ME3-0₃

Electrochemical Sensor

Manual

(Model: ME3-0₃)

Version V1.2

Valid from May 1st, 2014

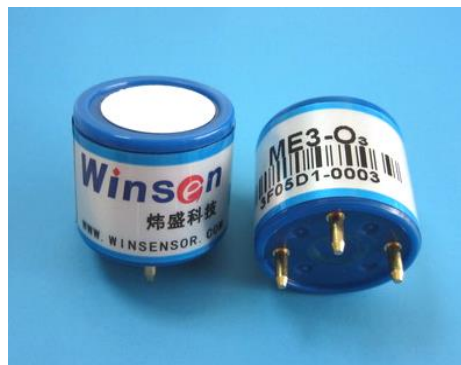
Zhengzhou Winsen Electronics Technology Co., Ltd

ME3-O₃ gas sensor

ME3-O₃ electrochemical sensor detect gas concentration by measuring current based on the electrochemical principle, which utilizes the electrochemical oxidation process of target gas on the working electrode inside the electrolytic cell, the current produced in electrochemical reaction of the target gas are in direct proportion with its concentration while following Faraday law, then concentration of the gas could be get by measuring value of current.

1.Features

- * Low consumption
- * High precision
- * High sensitivity
- * Wide linear range
- * Good anti-interference ability
- * Excellent repeatability and stability



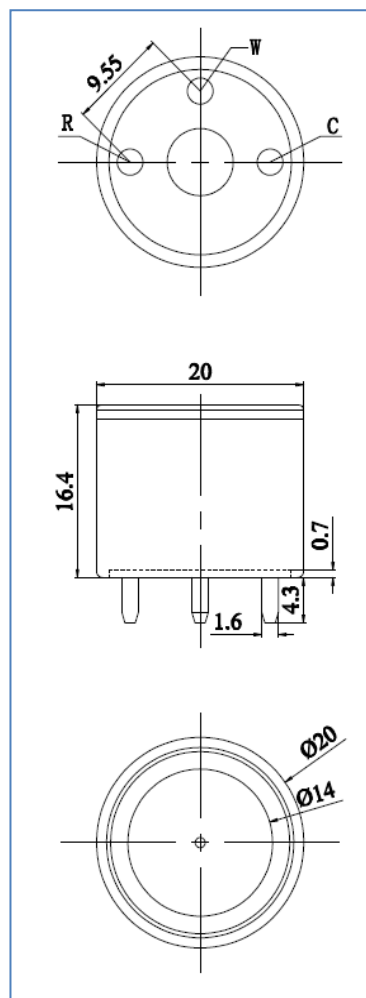
2 Application

Widely used in industrial and environmental protection fields

3. Technical Parameter

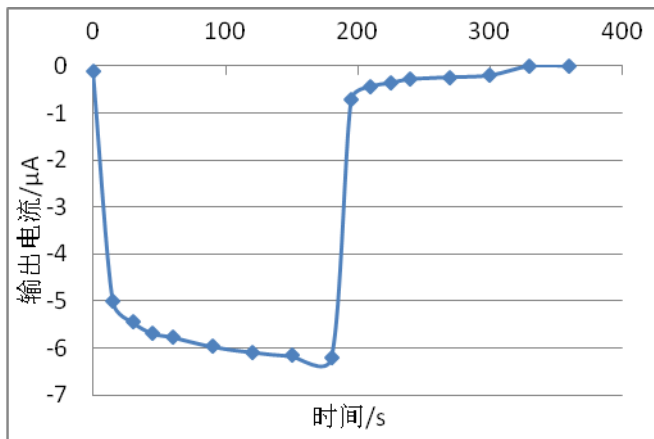
| | |
|----------------------------------|--------------------------------------|
| Detection gas | O ₃ |
| Measurement Range | 0~20ppm |
| Max detecting concentration | 100ppm |
| Sensitivity | (0.60±0.15) μA/ppm |
| Resolution ratio | 0.2ppm |
| Response time (T ₉₀) | ≤120S |
| Bias voltage | 0mV |
| Load resistance | 10 Ω (recommended) |
| Repeatability | <5% output value |
| Stability (/ month) | <2% |
| Output Linearity | linear |
| Zero drift (-20℃~40℃) | 0.2ppm |
| Storage temperature | -20℃~50℃ |
| Storage Humidity | 15%~90% RH |
| Pressure range | Standard atmosphere pressure ±10% |
| Anticipated using life | 2 years (In air) |

4. External dimension

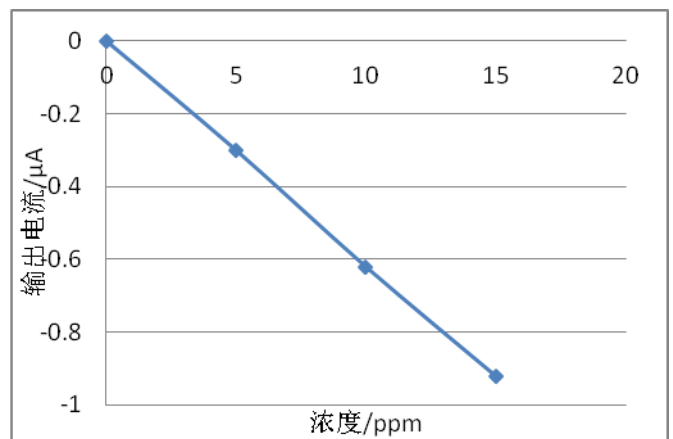


5.Characterization

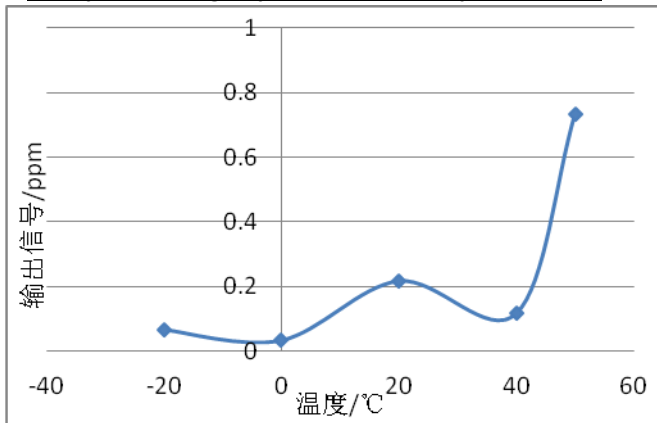
Features of Sensitivity, response and resume



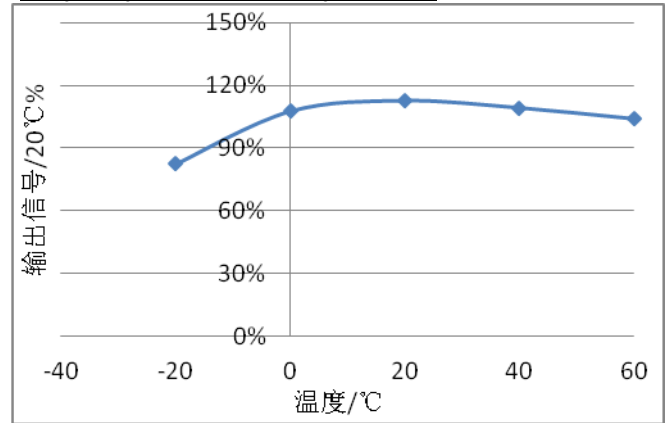
Linearity features



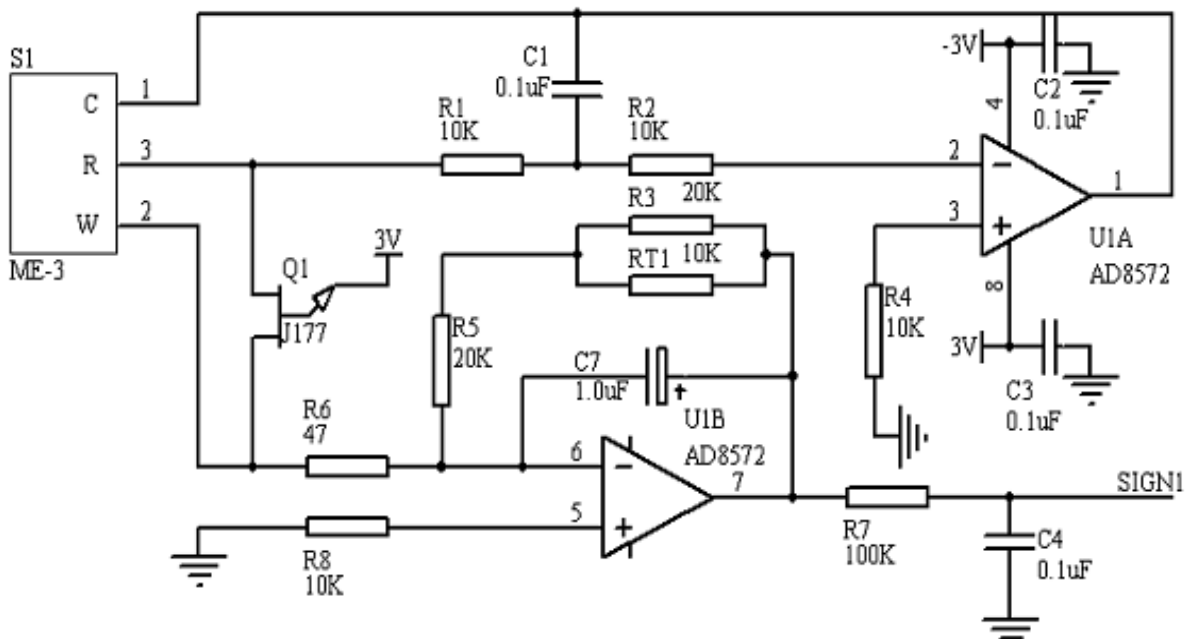
Zero point change upon Variable Temperature

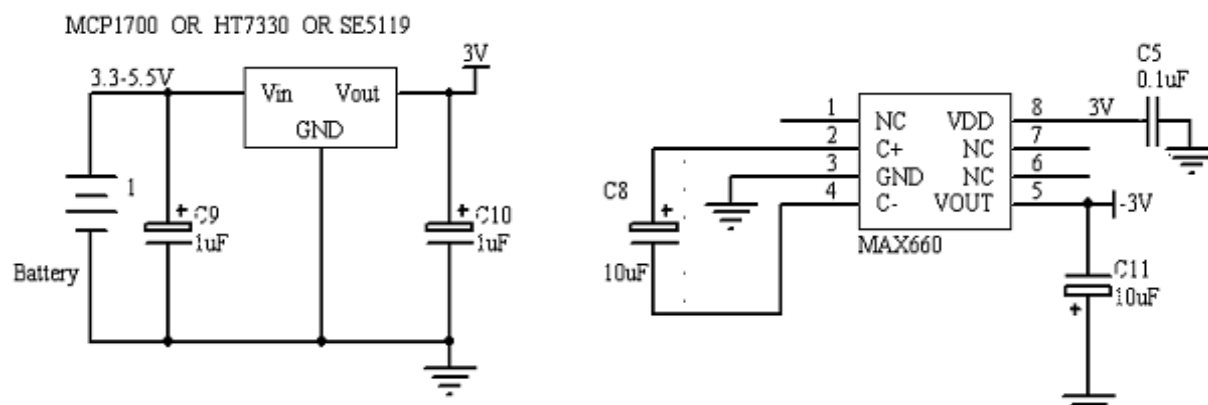


Output upon variable temperature



6.Basic circuit





7. Anti-Interference:

ME3-O₃ sensor also responds to other gases besides target gas. Below are the response characteristics of interferential gases

| Gas | Concentration | ME3-O ₃ |
|-------------------------------|---------------|--------------------|
| CL ₂ | 3ppm | 1ppm |
| H ₂ S | 15ppm | <-1ppm |
| CO | 300ppm | 0ppm |
| SO ₂ | 5ppm | 0ppm |
| HCN | 10ppm | 0ppm |
| HCL | 5ppm | 0ppm |
| NO | 35ppm | 0ppm |
| NO ₂ | 5ppm | 2ppm |
| H ₂ | 500ppm | 0ppm |
| C ₂ H ₄ | 100ppm | 0ppm |

8. Application Notes:

- Sensor shall Avoid organic solvent, coatings, medicine, oil and high concentration gases;
- All ME Sensors shall not be encapsulated completely by resin materials, and shall not immerse in pure oxygen environment, otherwise, it will damage the function of sensor;
- All ME sensors shall not be applied in corrosive gas environment, or the sensor will be damaged;
- Please test the sensitivity of gas sensors in clean atmosphere;
- Sensors Shall be avoided to face the gas, which flow directly from front side;
- To avoid to bend and break of pins;
- Blowhole of the sensor should not be blocked and polluted, which will cause the sensitivity

decrease;

- Excessive impact or vibration should be avoided;
- Do not use the sensor when the shell is damaged;
- It takes some time for the sensor to return to normal state After applied in high concentration gas;
- Do not take apart the sensor, otherwise electrolyte leakage can cause sensor damage;
- Working electrode and reference electrode of the sensor shall be in short circuit when stored.;
- To preheat over 48hs before using and soldering forbidden;

Note: To keep continual product development, we reserve right to change design features without prior notice !

Zhengzhou Winsen Electronics Technology Co., Ltd

Add.: NO.299 Jin Suo Road, National Hi-Tech Zone,
Zhengzhou, 450001 China

Tel.: 0086-371-67169097

Fax:0371-60932988

E-mail:sales@winsensor.com